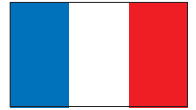


# VFL

Made in France



## Vertical Laminar flow hood- ISO 5 classification



- Automatic regulation with ECM motor and
- HEPA Filtration H14 99.999% @ .3μ

**According to :  
ISO 14 644**

The vertical laminar flow hood VFL are made in expanded PVC ultra clean and smooth which ensure a perfect cleaning and decontamination.

*Its ESD properties allow the hood to be installed in sensitive environment like clean room.*

*The filtration system is based on a Fan Filter Unit Fan Jet with ECM motor and automatic regulation system which guarantees an ISO 5 working area (class 100 FS-209E)*

**Product protection**  
thanks to the vertical laminar flow

## ■ Characteristics

- Bench top unit with integrated work surface to set-up on existing lab bench or on dedicated stand
- Front window (easily dismountable for instruments setup)
- Frontal panel in epoxy painted steel
- Large working area with height of 31"
- Easy maintenance
- Lighting outside the working area
- ECM motor and automatic regulation
- Prefilter (change every 3 to 6 months)
- Standby mode
- HEPA filtration
- Low sound level (<55 dBA)
- Cost Effective product
- Digital control panel – “flower” showing
  - Air flow speed
  - Life of the main HEPA filter (%)
  - Pressure drop in the plenum

## ■ APPLICATIONS

- Optic
- Pharmaceutical
- Electronic
- Micro-mechanical
- Research
- Hospital
- Botanic

## Functioning principle

The laminar flow ISO 5 is covering all the working area(double stage of filtration – prefilter G4 (Merv 7) and HEPA filtration 99.999%@0.3µm.

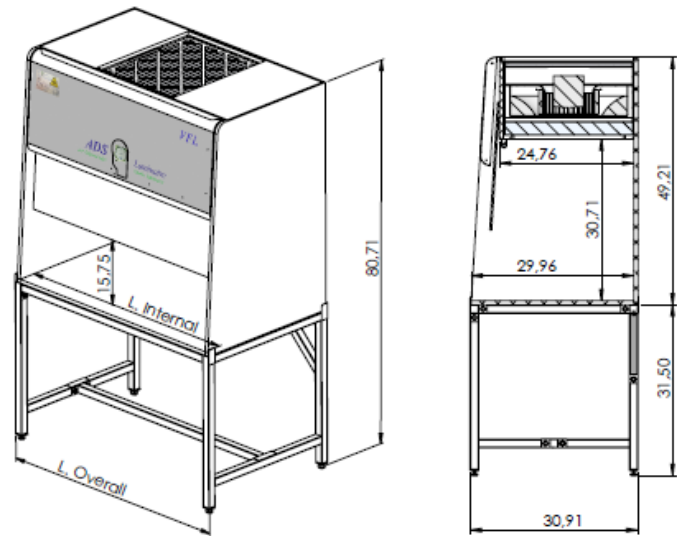
The air flow speed and the positive pressure guarantee the product protection. Thanks to a piston effect of the ultra clean air flow, the particles are exhausted and pushed out of the hood.

## MAINTENANCE

Thanks to design the filter replacement is made in few minutes. The VFL's Fan Filter Unit (Fanjet) doesn't require maintenance.

## OPTIONS

- Manual control
- Electrical outlet
- stand
- 110 V or 220 V



	VFL 9		VFL 12		VFL 18	
SIZE (")	INTERNAL	OVERALL	INTERNAL	OVERALL	INTERNAL	OVERALL
Lenght (L)	35,5	36,5	47,5	48,5	71,5	72,5
Height (H)- without stand	INTERNAL : 30,7 OVERALL : 80,7					
depht (p)	30					
weight(lbs)	132		180		264	
flow rate (cfm)	450		580		880	